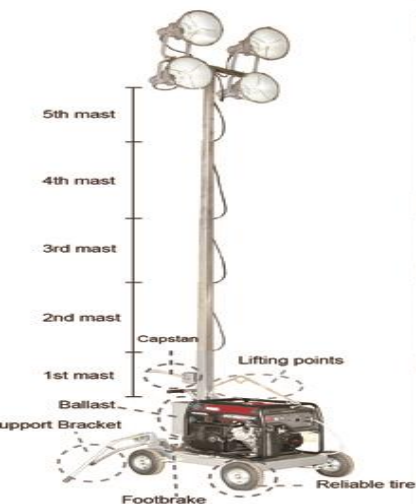




DISTRIBUYENDO ENERGÍA
THE ENERGY FORCE

TORRES DE ILUMINACIÓN

Hand Push Lighting Tower

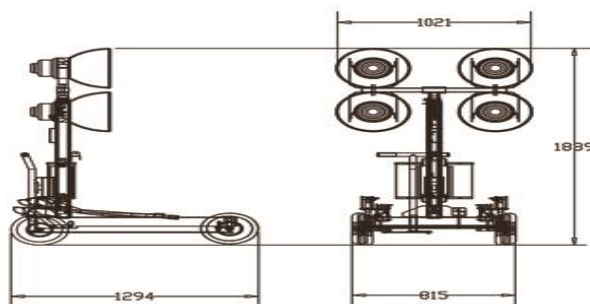


Specifications

Engine	
Model	HG186FA, Diesel
Cooling	Air cool
Kw(HP) at continuous	5.7(7.8)/3000RPM
Engine speed(RPM)	3000
Fuel Capacity L	15
Run Time	7 hours
Displacement L	0.418
Alternator	
Output KVA	4.5
Frequency HZ	50
Lighting	
Type of Lamp	Metal halide 400W
Lamp No.	4
Output Lumens	220,000
Mast	
Type	Multi-Sections Telescoping
Height	5.4M
Winch	Hand operated winch with safety brake/Electric Winch
Traveling	Retracts and Stows Horizontally for travel tower is locked into
Weight KG	290
Size MM	1294*1021*1889

Features

- Rise to any height manually
- 5 stages mast can reach to 5m
- Mast equipped with self-locking, safe operation
- High luminance and high power
- Easy moving with footbrake
- Small and easy to transport



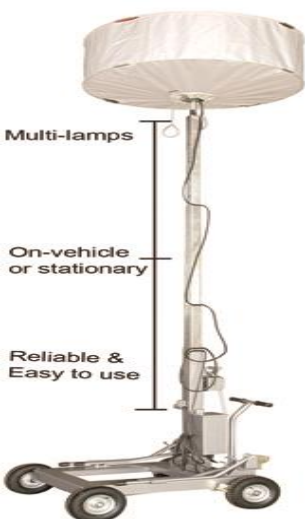
Hand Push Lighting Tower

Features

- Lighting balloons provide over 360° diffused and glare-free light
- Safer for use on highways
- High efficiency
- Easy and safe use, transport and storage
- High luminance and high power
- Easy moving with footbrake

Specifications

	HHPL1000B	HHPL2000B
Model	HHPL1000B	HHPL2000B
Engine Make/Model	HG186FA, Diesel	HG186FA, Diesel
Cooling	Air cool	Air cool
Kw(HP) at continuous	5.7(7.8)/3000RPM	5.7(7.8)/3000RPM
Engine speed(RPM)	3000	3000
Fuel Capacity L	15	15
Run Time	7hours	7hours
Displacement L	0.418	0.418
Alternator		
Output KVA	4.5	4.5
Frequency HZ	50	50
Lighting		
Type of Lamp	Metal halide 1000W	Metal halide 1000W
Lamp No.	1	2
Output Lumens	110,000	220,000
Mast		
Type	Multi-Sections Telescoping	
Height	5.0M	
Winch	Hand operated winch with safety brake/Electric Winch	
Traveling	Retracts and Stows Horizontally for travel tower is locked into	
Weight KG	290	
Size MM	1060*540*2100	



Lighting Balloon Options	airstar			
	Model	HA2X1000	HMI 1X2500	HMI 1X1200
Envelop diameter	90CM	140CM	120CM	
Lighting surface	3 250m ²	7 250m ²	4 700m ²	
Maximum efficiency	27 lm/w	96 lm/w	92 lm/w	
Lighting Balloon Options				
Model	HI-T 1000	HA 4x1000	HMI 2x2500	HMI 4X1000
Envelop diameter	120CM	120CM	140CM	140CM
Lighting surface	4 700m ²	4 700m ²	2 1000m ²	18 500m ²
Maximum efficiency	110 lm/w	27 lm/w	88 lm/w	95 lm/w

Tower Light HML6000K



General Features

Strong Power Output
 High Illumination, total 440,000lumens
 Compact Design, 18 units load quantity
 9 meters high mast , 360° rotation
 Roof can be open for easy check and maintenance
 With integrated road signal lights.



ISO8528-5-2005; GB/T2820.5-2009



EN60204/1; Directive2006/42/EC;



Specification	50hz	60hz
Model	HML6000K	
Engine	Kubota D1105-BG	
Alternator	Mecc Alte LT3N-130/4	
Rated Output	6	7.5
Rated Frequency	50hz/1500rpm	60hz/1800rpm
Rated Voltage / Phase	230/1p	240/1p
Lamps	4 *1000W metal halide	
Total Lumens	440,000	
Mast Hight	9meters	
Demmensions(Unfolded)	9152*2629*2867 mm	
Dimmensions(Folded)	4350*1250*1645mm	
Weight	790kg	
Wind Resistance	96km/hour	
Noise Level	71dBA @ 7 meters	
Fuel Tank Capacity	120L	
Fuel Consumption (with 4 lamps on)	1.5L/hour	

Applications

- Road construction
- Commercial construction
- Mechanics
- Government and military
- Special events
- Emergency power generation
- Public areas



Roof can be open for easy maintenance and operation



18units/40ft HQ container

Compact Design
 1 40ft Container can load 18 units, shipping cost saved



Hydraulic Lighting Tower



- 9m hydraulically activated mast, extends to full height within 13 seconds;
- Providing 144,000 lumens for all-night working;
- Soundproof generating set powered by Kohler engine;
- Fork pockets and single point lift for easy loading and off-loading;
- 72% reduction in fuel cost
- Lighting coverage of 3600sqm at 20 Lux
- Compact and road-towable for maximum transportability, with integrated road signal lights

Specifications

HVL1600K

Model	HVL1600K
Engine	
Frequency	50HZ
Make	Kohler
Model	KD350
Type	Diesel
Number of cylinders	1
Power output(hp)	7.5
Displacement	349cc
Cooling	Air cooled
Engine shutdown protection	Low oil pressure
Combustion System	Swirl Chamber IDI
Engine speed	3000rpm
Generator sound power level	
Sound power level at 7m	89Lwa (64db)
Mast	
Mast type	Hydraulic telescopic mast with safety block, carrying four metal halide spotlights.
Watts per lamp	400
Lumens per lamp	36,000
Total watts	1,600
Total lumens	144,000
Manual mast rotation	360°
Time to raise to full height	13 seconds
Time to lower to travel position	25 seconds
Working temperature	-20 to 45°C
Fuel	
Type	Diesel
Fuel tank capacity	170L
Fuel consumption	0.5 l/hr
Run time for full tank	340hrs
Voltage	
Total voltage	230v
Sockets 230v	16 amps
Auxiliary input plug 230v	132 amps
Maximum output	4.0kva (4.0kw)
Start system	
Start motor output	1.1kw (1.69cv)
Battery capacity	80Ah
Voltage	12vDC
Dimensions & Weight	
Travel position length	2220mm
Travel position weight	1260mm
Travel position height	2200mm
Working position length	2200mm
Working position weight	2450mm
Working position height	9000mm
Dry weight	933kg

Hydraulic Lighting Tower

Specifications

HVL4000P/PB

Model	HVL4000P	HVL4000PB
Engine		
Frequency	50HZ	
Make	Perkins	
Model	403D-11G	
Type	Diesel	
Number of cylinders	3	
Power output(hp)	13.32	
Displacement	1.131L	
Cooling	Water cooled	
Engine shutdown protection	Low oil pressure	
Combustion System	Swirl Chamber IDI	
Engine speed	1500 rpm	
Generator sound power level		
Sound power level at 7m	89Lwa (64db)	
Mast		
Mast Type	Hydraulic telescopic mast with safety block, carrying four metal halide spotlights.	
Watts per lamp	1,000	
Lumens per lamp	90,000	
Total watts	4,000	
Total lumens	360,000	
Manual mast rotation	360°	
Time to raise to full height	13 seconds	
Time to lower to travel position	25 seconds	
Working temperature	-20 to 45°C	
Fuel		
Type	Diesel	
Fuel tank capacity point.capacity	100L	
Fuel consumption	1.47 l/hr	
Run time for full tank	68hrs	
Voltage		
Total voltage	230v	
Sockets 230v	16 amps	
Auxiliary input plug 230v	132 amps	
Maximum output	7.4KVA (7.4W)	
Start system		
Start motor output	1.1KW (1.69CV)	
Battery capacity	80Ah	
Voltage	12 VDC	
Dimensions & Weight		
Travel position length	2220mm (87in)	
Travel position weight	1260mm (50in)	
Travel position height	2200mm (87in)	
Working position length	2200mm (87in)	
Working position weight	2450mm (96in)	
Working position height	9000mm (354in)	
Dry weight	933kg	



- 9m hydraulically activated mast, extends to full height within 13 seconds and provides 360,000 lumens for all-night working;
- Mast rotates 360° providing light wherever it's required, with four stabilizing legs for safe working on uneven ground
- Compact and road-towable for maximum transportability, with integrated road signal lights
- Soundproof generating set powered by Perkins Engine
- Fork pockets and single point lift for easy loading and off-loading
- Large, removable doors and external fuel filling point provide good service and refueling access
- HVL4000PB: lighting balloon with 360° glare free light

Solar Tower



Features

HVL1600S

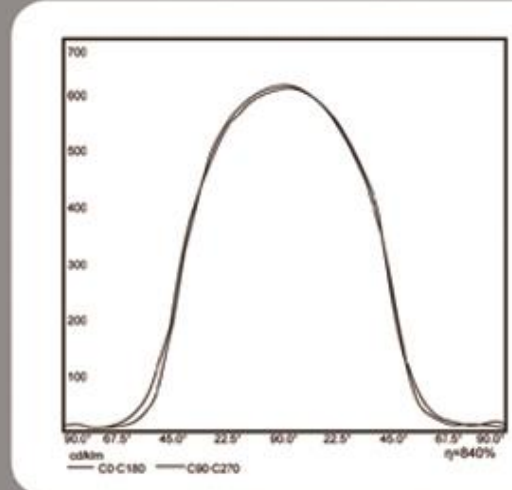
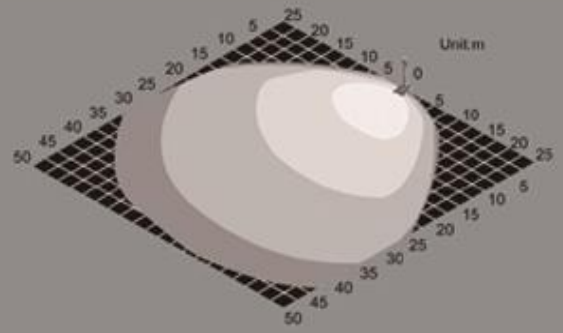
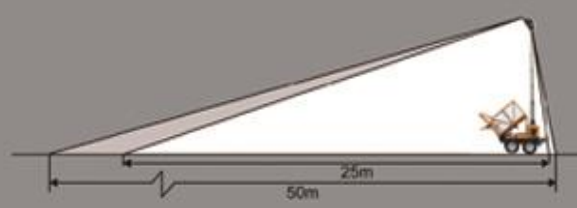
- Lamps: 4 lights fixtures
- Luminosity: 15,000 lumens per fixture; 60,000 total lumens
- Power draw: Approx 150 watts per light fixtures
- Mast 9m: Automatic hydraulic operation, 120° light rotation and tilt control
- Batteries: 8*265 ampere/hr 12V batteries
- Controller: Maximum power point tracking regulator, automatic time control
- Chassis: Dual wheel with Land cruiser 16" rims
- Warranty: Solar panels, 25years; Lamps, 50,000hrs; Batteries, 5 years
- Travel dimensions: 4260mm*2034mm*2716mm(L*W*H)
- Working dimensions: 3480mm*4080mm*8500mm(L*W*H)



Applications

- Special event
- Neighborhoods
- Rural & hard-to-reach areas
- Emergency response
- Mining sites
- Accident investigation
- Utility repairs
- Construction & work sites
- Temporary security
- Military applications
- Wherever high-voltage
- Power is not an option

Lamp Technical Characteristics (1 Lamp Only)



Light Technical Characteristics

Life to 5% failures	2100hr
Life to 20% failures	10000hr
Life to 50% failures	50000hr
LED watt	150w
Colour Rendering	80Ra
Colour Index Designation	Pure white
Colour temperature	5000K
Lamp luminous Flux EM	16050Lm
Lamp luminous efficiency	107Lm/W
Lumen maintenance 2000h	98%
Lumen maintenance 5000h	97%
Lumen maintenance 10000h	95%

HML7000KB

General Information

Engine: Kubota D1105-BG
Alternator: MECC Alte LT3N-130/4
Rated Output: 6kW
Mast Type: Manual
Mast Height: 9 meters
Lamps: 3*1000W Metal Halide

Features

Original Kubota Engine
Strong and Reliable Power Output
IP54 France Originated Lighting Ballon
360° Illuminating without Manual Operation
Softened Lighting to Protect Eyes
With Fork Pockets and Lift Point
130L Visual Fuel Tank
With Integrated Road Signal Lights



Applications

Construction
Mining Site
Utilities
Rescue
Filming
Airport and Sea Port
Special Events
Emergency Lighting



IP54 Lighting Ballon



Integrated Road Signal Lights



Fork Pockets and Lift Point